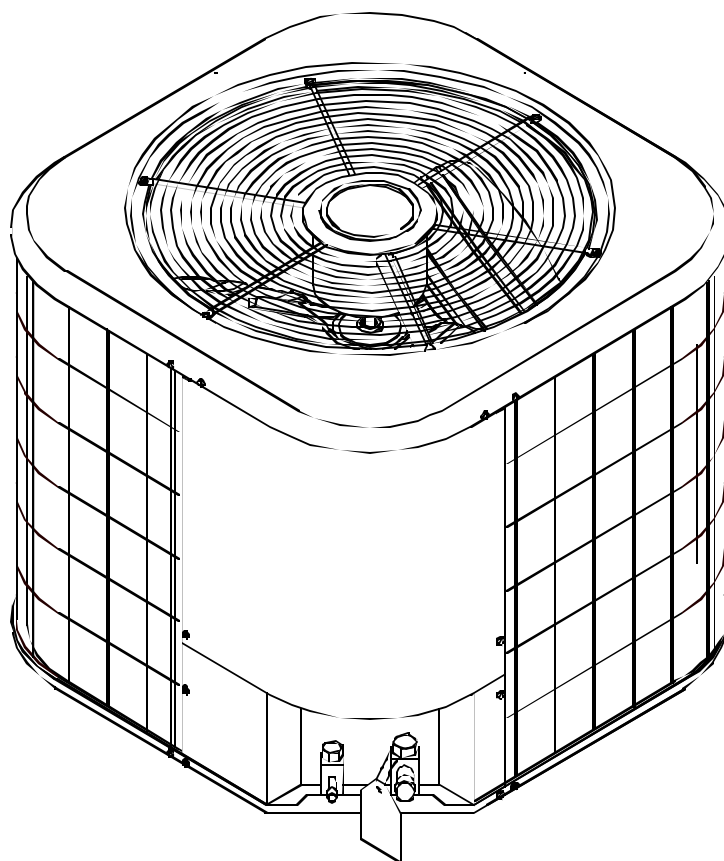


Service Parts

RCB*C2A/B/C 10 SEER Remote Condensing Units

This manual replaces RP6111003 Rev. 1.

This manual is to be used by qualified appliance technicians only.



Models and manufacturing numbers in this manual

P1247513C	RCB18C2C
P1247514C	RCB24C2C
P1247515C	RCB30C2C
P1247516C	RCB36C2C
P1247517C	RCB42C2C
P1256403C	RCB48C2C
P1256404C	RCB60C2C
RCB18C2A	P1247501C
RCB18C2B	P1247508C
RCB24C2A	P1247502C
RCB24C2B	P1247509C
RCB30C2A	P1247503C
RCB30C2B	P1247510C
RCB36C2A	P1247504C
RCB36C2B	P1247511C
RCB42C2A	P1247505C
RCB42C2B	P1247512C
RCB48C2A	P1247506C
RCB48C2B	P1256401C
RCB60C2A	P1247507C
RCB60C2B	P1256402C



Amana is a trademark of Maytag Corporation and used under license to Goodman Company, L.P. All rights reserved.

RP6111003
Revision 2
August 2004

Copyright © 2004 Goodman Company, L.P.

Important Information

Goodman Company, L.P. is not responsible for personal injury or property damage resulting from improper service. Review all service information before beginning repairs.

Warranty service must be performed by an authorized technician, using authorized factory parts. If service is required after the warranty expires, Goodman Company, L.P. also recommends contacting an authorized technician and using authorized factory parts.

For assistance within the U.S.A. contact:

Consumer Affairs Department
Goodman Company, L.P.
7401 Security Way
Houston, Texas 77040
877-254-4729-Telephone
713-863-2382-Facsimile

For assistance outside the U.S.A. contact:

International Division
Goodman Company, L.P.
7401 Security Way
Houston, Texas 77040
713-861-2500-Telephone
713-863-2382-Facsimile

Index

Functional Parts List	4 - 5
Illustration and Parts	6 - 13

Views shown are for parts illustrations only, not servicing procedures.

Revision 1: Adds Manufacturing #s P1247508C, P1247509C, P1247510C, P1247511C, P1247512C, P1256401C, and P1256402C.

Revision 2: Adds new RCB*C*C models. Paint color of cabinet changed to grey. Corrects capacitor part number for RCB60C2B P1256402C.

Text Codes:

AR - As Required

NA - Not Available

NS - Not Shown

00000000 - See Note

QTY - Quantity Example (QTY 3) (If Quantity not shown, Quantity = 1)

M - Model Example (M1) (If M Code not shown, then part is used on all Models)

Expanded Model Nomenclature:

Example	
M1 - Model#1	P _____
M2 - Model#2	P _____
M3 - Model#3	P _____

Functional Parts

Part

No: Description:

Part No:	Description:	Expanded Model Nomenclature
D6789048	CAPACITOR 25/5/370 (M1, M8, M15)	M1 - RCB18C2A P1247501C
D6789051	CAPACITOR 30/5/370 (M2, M9, M16)	M2 - RCB24C2A P1247502C
D6789049	CAPACITOR 35/5/370 (M3, M10, M17)	M3 - RCB30C2A P1247503C
D6789025	CAPACITOR 35/5/440 (M4)	M4 - RCB36C2A P1247504C
D6789024	CAPACITOR 40/5/370 (M6)	M5 - RCB42C2A P1247505C
D6789028	CAPACITOR 40/5/440 (M5, M12, M13, M19)	M6 - RCB48C2A P1247506C
B94575600	CAPACITOR 40/5/440 (M20)	M7 - RCB60C2A P1247507C
D6789043	CAPACITOR 50/5/370 (M11, M18)	M8 - RCB18C2B P1247508C
D6789046	CAPACITOR 60/5/370 (M7, M14, M21)	M9 - RCB24C2B P1247509C
CR16K6PFV920	COMPRESSOR, CR16KF-PFV-220*, OLD PN# 10481828 (M1, M8, M15) SERVICE COMPRESSOR MAY BE DIFFERENT THAN PRODUCTION	M10 - RCB30C2B P1247510C
CR22K6PFV920	COMPRESSOR, CR22KF-PFV-220 (M2, M9, M16)	M11 - RCB36C2B P1247511C
CR28K6PFV920	COMPRESSOR, CR28K6-PFV-220, OLD PN#10481823 (M3, M10, M17)	M12 - RCB42C2B P1247512C
10481817	COMPRESSOR, CR32K6-PFV-230 (M4)	M13 - RCB48C2B P1256401C
CR34K6PFV920	COMPRESSOR, CR34K6-PFV-220 (M11, M18)	M14 - RCB60C2B P1256402C
CR38K6PFV920	COMPRESSOR, CR38K6-PFV-220, OLD PN# 10481824 (M5, M19)	M15 - RCB18C2C P1247513C
CR42K6PFV920	COMPRESSOR, CR42K6-PFV-223 (M13, M20)	M16 - RCB24C2C P1247514C
ZR40KCPFV930	COMPRESSOR, ZR40KC-PFV-230, OLD PN# 11012513 (M12)	M17 - RCB30C2C P1247515C
ZR45KCPFV935	COMPRESSOR, ZR45KC-PFV-235, OLD PN# 11012511 (M6)	M18 - RCB36C2C P1247516C
ZR57KCPFV950	COMPRESSOR, ZR57KC-PFV-250, OLD PN# B9266355 (M7, M14, M21)	M19 - RCB42C2C P1247517C
20435901	CONDENSING ASSY (M3)	M20 - RCB48C2C P1256403C
20435905	CONDENSING ASSY (M18)	M21 - RCB60C2C P1256404C
20411406	CONDENSING ASSY (M17)	
20436001	CONDENSING ASSY (M4, M5)	
20435501	CONDENSING ASSY (M2)	
20410005	CONDENSING ASSY (M8, M15)	
20411003	CONDENSING ASSY (M9, M16)	
20435903	CONDENSING ASSY (M11)	
20424803	CONDENSING ASSY (M12, M19)	
20433701	CONDENSING ASSY (M1)	
20437201	CONDENSING ASSY (M6, M7)	
20411405	CONDENSING ASSY (M10)	
11163807	CONDENSING ASSY-PPNT (M13)	
11163808	CONDENSING ASSY-PPNT (M21)	
11163809	CONDENSING ASSY-PPNT (M20)	
11163806	CONDENSING ASSY-PPNT (M14)	
10625716	FAN-CONDENSER 3BLADE,CW,27DEG (M1, M2, M8, M9)	
10625703	FAN-CONDENSER 3BLADE,CW,28DEG (M11, M12)	
10625706	FAN-CONDENSER 3BLADE,CW,33DEG (M4, M5, M6, M7, M13, M14)	
10625717	FAN-CONDENSER 3BLADE,CW,37DEG (M3, M10)	
10651509	HARNESS-COMPRESSOR (M7)	
10651507	HARNESS-COMPRESSOR (M1, M2)	
20430101	HARNESS-COMPRESSOR (M14, M21)	
20462503	HARNESS-COMPRESSOR (M5, M6, M12, M13, M19, M20)	
10651517	HARNESS-COMPRESSOR (M3, M4, M8, M9, M10, M11, M15, M16, M17, M18)	
10584307	MOTOR-COND 1/2HP, 230V,825RPM (M1, M2, M8, M9, M11, M12)	
10584313	MOTOR-COND 1/4HP, 230V,830RPM (M4, M5, M6, M7, M13, M14)	
10584308	MOTOR-COND 1/6HP, 230V,825RPM (M3, M10)	
20272613	PISTON 0530 BAG ASSY (M1, M8, M15)	
20272603	PISTON 0591 BAG ASSY (M2, M9)	
20272611	PISTON 0650 BAG ASSY (M3, M10)	
20272612	PISTON 0710 BAG ASSY (M4, M11, M18)	
20272607	PISTON 0760 BAG ASSY (M5, M12, M19)	

Functional Parts

Part

No: Description:

20272614	PISTON 0820 BAG ASSY (M13, M20)
20272608	PISTON 0846 BAG ASSY (M6)
20272609	PISTON 0925 BAG ASSY (M7, M14, M21)
B1443829	RESTRICTOR 053 (M1)
B1443823	RESTRICTOR 059 (M2)
B1443821	RESTRICTOR 065 (M3)
B1443822	RESTRICTOR 071 (M4)
B1443817	RESTRICTOR 076 (M5)
B1443805	RESTRICTOR 084 (M6)
B1443810	RESTRICTOR 092 (M7)
B1219225	SINGLE-FLOW FILTER-DRIER (M6, M7, M12, M13, M14, M19, M20, M21)
B1219212	SINGLE-FLOW FILTER-DRIER (M1, M2, M3, M4, M5, M8, M9, M10, M11, M15, M16, M17, M18)
B1104807	START-CAPACITOR (M5, M20)
B1104806	START-CAPACITOR (M1, M2, M3, M4, M8, M9, M10, M11, M15, M16, M17, M18)
10142317	START-RELAY (M4, M11, M18)
10142307	START-RELAY (M1, M8, M15)
10142305	START-RELAY (M2, M3, M5, M9, M10, M16, M17, M20)

Expanded Model Nomenclature

M1 - RCB18C2A	P1247501C
M2 - RCB24C2A	P1247502C
M3 - RCB30C2A	P1247503C
M4 - RCB36C2A	P1247504C
M5 - RCB42C2A	P1247505C
M6 - RCB48C2A	P1247506C
M7 - RCB60C2A	P1247507C
M8 - RCB18C2B	P1247508C
M9 - RCB24C2B	P1247509C
M10 - RCB30C2B	P1247510C
M11 - RCB36C2B	P1247511C
M12 - RCB42C2B	P1247512C
M13 - RCB48C2B	P1256401C
M14 - RCB60C2B	P1256402C
M15 - RCB18C2C	P1247513C
M16 - RCB24C2C	P1247514C
M17 - RCB30C2C	P1247515C
M18 - RCB36C2C	P1247516C
M19 - RCB42C2C	P1247517C
M20 - RCB48C2C	P1256403C
M21 - RCB60C2C	P1256404C

SPECIAL PARTS

RT6111006	MANUAL TECHNICAL
10652423S	MANUAL-INSTAL
10659202S	MANUAL-OWNERS
RS6200003	MANUAL-SERVICE
RP6111003	PARTS MANUAL
PDB-RCB	PRODUCT DATA BOOK (M8, M9, M10, M11, M12, M13, M14, M15, M16, M17, M18, M19, M20, M21)
20451201	RCB18C2A SPEC SHT (M1)
20451202	RCB24C2A SPEC SHT (M2)
20451203	RCB30C2A SPEC SHT (M3)
20451204	RCB36C2A SPEC SHT (M4)
20451205	RCB42C2A SPEC SHT (M5)
20451206	RCB48C2A SPEC SHT (M6)
20451207	RCB60C2A SPEC SHT (M7)
20490503S	WARRANTY (M8, M9, M10, M11, M12, M13, M14, M15, M16, M17, M18, M19, M20, M21)
20315606S	WARRANTY (M1, M2, M3, M4, M5, M6, M7)

Control/Cover/Cabinet

Image 1

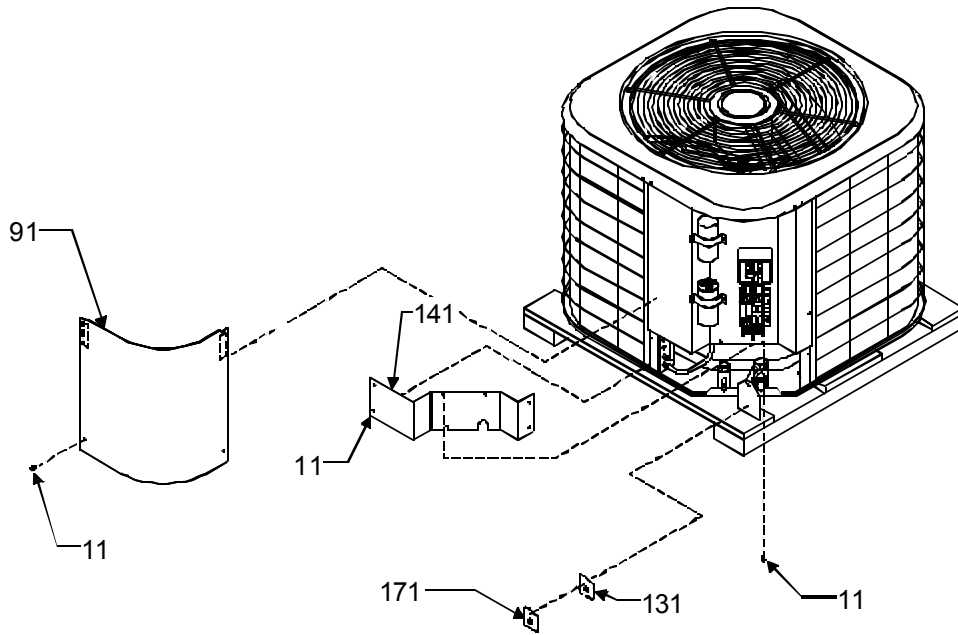
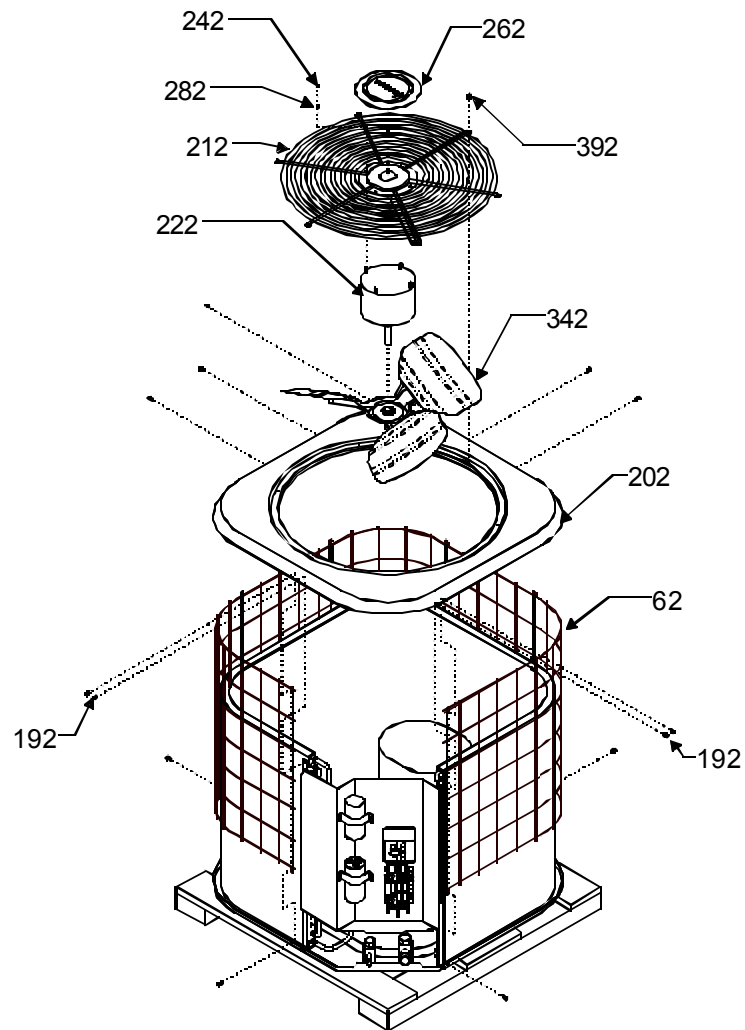


Image 2

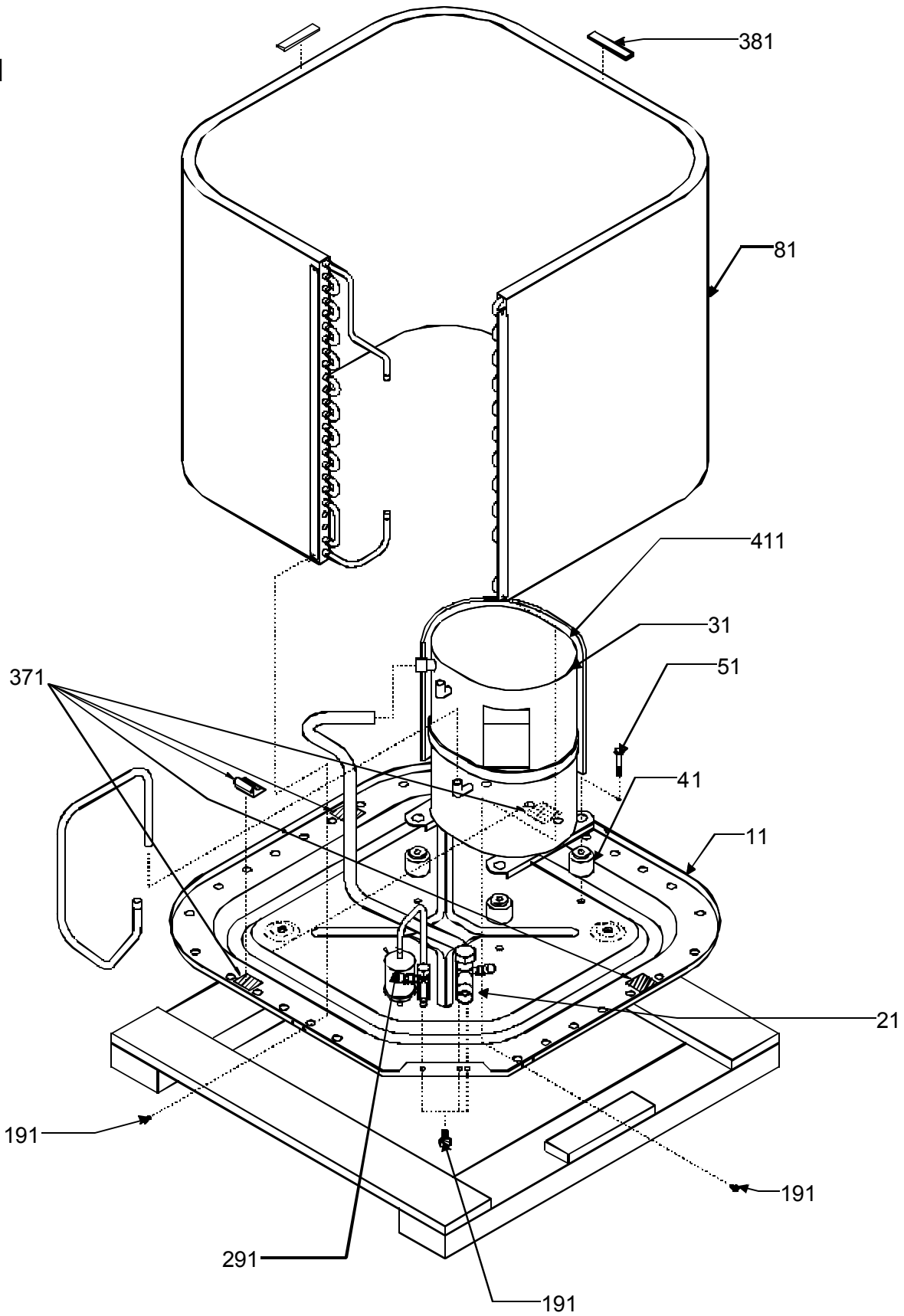


Control/Cover/Cabinet

Ref. Part No:	Ref. Part No:	Description:	Ref. Part No:	Ref. Part No:	Description:
<i>Image 1:</i>			202	20160505PDG	TOP-PNT (M15, M16, M17, M18, M19)
11	M0220816	SCREW-SM (M1, M2, M3, M4, M5, M6, M7)	212	20440501	GRILLE-FAN (M1, M2, M3, M8, M9, M10, M11, M12)
11	M0229303	SCREW-SM (M20, M21)	212	20440502	GRILLE-FAN (M4, M5, M6, M7, M13, M14)
91	20160411	COVER-BEND CONTROL (M15, M16, M19)	212	20515001	GRILLE-FAN (M15, M16, M17, M18, M19)
91	20160412	COVER-BEND CONTROL (M17, M18)	212	20515002	GRILLE-FAN (M20, M21)
91	10589926PDG	COVER-CONT PNT (M20, M21)	222	B13400270	MOTOR (M20, M21)
91	10589920	COVER-CONTROL (M13, M14)	222	B13400252	MOTOR, 1/6HP, 230V, (M15, M16, M17, M18, M19)
91	20160405	COVER-CONTROL (M1, M2, M8, M9, M12)	222	10584307	MOTOR-COND 1/2HP, 230V,825RPM (M1, M2, M8, M9, M11, M12)
91	20160406	COVER-CONTROL (M3, M4, M5, M6, M7, M10, M11)	222	10584313	MOTOR-COND 1/4HP, 230V,830RPM (M4, M5, M6, M7, M13, M14)
131	B1789859	FLOW CHECK PISTON K (M16)	222	10584308	MOTOR-COND 1/6HP, 230V,825RPM (M3, M10)
131	B1789865	FLOW CHECK PISTON K (M17)	242	B1783803	NUT, ACORN (5/16 HEX) (M8, M9, M10, M11, M12, M13, M14)
131	20272613	PISTON 0530 BAG ASSY (M1, M8, M15)	242	M0280801	NUT-HEX (M1, M2, M3, M4, M5, M6, M7, M15, M16, M17, M18, M19, M20, M21)
131	20272603	PISTON 0591 BAG ASSY (M2, M9)	262	20164301	DISK-LOGO CL
131	20272611	PISTON 0650 BAG ASSY (M3, M10)	282	M0216517	SCREW-SM (QTY AR)
131	20272612	PISTON 0710 BAG ASSY (M4, M11, M18)	282	M0272803	WASHER-LOCK (M1, M2, M3, M4, M5, M6, M7, M15, M16, M17, M18, M19, M20, M21)
131	20272607	PISTON 0760 BAG ASSY (M5, M12, M19)	342	10625716	FAN-CONDENSER 3BLADE,CW,27DEG (M1, M2, M8, M9)
131	20272614	PISTON 0820 BAG ASSY (M13, M20)	342	10625703	FAN-CONDENSER 3BLADE,CW,28DEG (M11, M12)
131	20272608	PISTON 0846 BAG ASSY (M6)	342	10625706	FAN-CONDENSER 3BLADE,CW,33DEG (M4, M5, M6, M7, M13, M14)
131	20272609	PISTON 0925 BAG ASSY (M7, M14, M21)	342	10625717	FAN-CONDENSER 3BLADE,CW,37DEG (M3, M10)
141	20160202	PANEL-SRVC VLV (M3)	342	10625730	FAN-CONDENSER BLADE 18" ALUM (M15, M16, M17, M18, M19)
141	20160209	PANEL-SRVC VLV (M1, M2, M4, M5, M8, M9, M10)	342	10625733	FAN-CONDENSER BLADE 22" ALUM (M20, M21)
141	20160210	PANEL-SRVC VLV (M11)	392	M0229303	SCREW-SM (QTY 6)
141	20160211	PANEL-SRVC VLV (M6, M7, M12)	Expanded Model Nomenclature		
141	20289710	PANEL-SRVC VLV (M13, M14)	M1 - RCB18C2A	P1247501C	
141	20160215PDG	PANEL-SRVC VLV PNT (M15, M16, M17)	M2 - RCB24C2A	P1247502C	
141	20160216PDG	PANEL-SRVC VLV PNT (M18)	M3 - RCB30C2A	P1247503C	
141	20160217PDG	PANEL-SRVC VLV PNT (M19)	M4 - RCB36C2A	P1247504C	
141	20289711PDG	PANEL-VALVE PNT (M20, M21)	M5 - RCB42C2A	P1247505C	
171	B1443829	RESTRICTOR 053 (M1)	M6 - RCB48C2A	P1247506C	
171	B1443823	RESTRICTOR 059 (M2)	M7 - RCB60C2A	P1247507C	
171	B1443821	RESTRICTOR 065 (M3)	M8 - RCB18C2B	P1247508C	
171	B1443822	RESTRICTOR 071 (M4)	M9 - RCB24C2B	P1247509C	
171	B1443817	RESTRICTOR 076 (M5)	M10 - RCB30C2B	P1247510C	
171	B1443805	RESTRICTOR 084 (M6)	M11 - RCB36C2B	P1247511C	
171	B1443810	RESTRICTOR 092 (M7)	M12 - RCB42C2B	P1247512C	
NS	10597408	FILLER-CONTROL (M13, M14)	M13 - RCB48C2B	P1256401C	
NS	20187902	NAME PLATE, AMANA	M14 - RCB60C2B	P1256402C	
<i>Image 2:</i>			M15 - RCB18C2C	P1247513C	
62	20440001	GRILLE-FORMED (M1, M2, M8, M9)	M16 - RCB24C2C	P1247514C	
62	20440002	GRILLE-FORMED (M3, M11)	M17 - RCB30C2C	P1247515C	
62	20440003	GRILLE-FORMED (M4, M5)	M18 - RCB36C2C	P1247516C	
62	20440004	GRILLE-FORMED (M6, M7)	M19 - RCB42C2C	P1247517C	
62	20440005	GRILLE-FORMED (M15, M16)	M20 - RCB48C2C	P1256403C	
62	20440006	GRILLE-FORMED (M18)	M21 - RCB60C2C	P1256404C	
62	20449305	GRILLE-FORMED (M13, M14)			
62	20449307	GRILLE-FORMED (M10)			
62	20449308	GRILLE-FORMED (M12)			
62	20449315	GRILLE-FORMED (M20, M21)			
62	20449317	GRILLE-FORMED (M17)			
62	20449318	GRILLE-FORMED (M19)			
192	M0220816	SCREW-SM (M1, M2, M3, M4, M5, M6, M7, M8, M9, M10, M11, M12, M13, M14)			
202	10576104	TOP (M13, M14)			
202	10576105	TOP (M20, M21)			
202	20160501	TOP (M1, M2, M3)			
202	20160503	TOP (M8, M9, M10, M11, M12)			
202	20161204	TOP (M4, M5, M6, M7)			

Compressor/Tubing

Image 1



Compressor/Tubing

Ref. Part

No: No: Description:

Image 1:

11	20160003	BASEPAN (M4, M5, M6, M7)
11	10258304	BASEPAN REM (M13, M14)
11	10258306	BASEPAN REM (M20, M21)
11	20159903	BASEPAN REM (M1, M2, M3, M8, M9, M10, M11, M12)
11	20159905	BASEPAN REM (M15, M16, M17, M18, M19)
31	CR16K6PFV920	COMPRESSOR, CR16KF-PFV-220*, OLD PN# 10481828 (M1, M8, M15) SERVICE COMPRESSOR MAY BE DIFFERENT THAN PRODUCTION
31	CR22K6PFV920	COMPRESSOR, CR22KF-PFV-220 (M2, M9, M16)
31	CR28K6PFV920	COMPRESSOR, CR28K6-PFV-220, OLD PN#10481823 (M3, M10, M17)
31	10481817	COMPRESSOR, CR32K6-PFV-230 (M4)
31	CR34K6PFV920	COMPRESSOR, CR34K6-PFV-220 (M11, M18)
31	CR38K6PFV920	COMPRESSOR, CR38K6-PFV-220, OLD PN# 10481824 (M5, M19)
31	CR42K6PFV920	COMPRESSOR, CR42K6-PFV-223 (M13, M20)
31	ZR40K6PFV930	COMPRESSOR, ZR40KC-PFV-230, OLD PN# 11012513 (M12)
31	ZR45K6PFV935	COMPRESSOR, ZR45KC-PFV-235, OLD PN# 11012511 (M6)
31	ZR57K6PFV950	COMPRESSOR, ZR57KC-PFV-250, OLD PN# B9266355 (M7, M14, M21)
41	10107301	GROMMET-COMP FOOT (M6, M7, M12, M14, M21)
41	B1315401	GROMMET-COMP FOOT (M1, M2, M3, M4, M5, M8, M9, M10, M11, M13, M15, M16, M17, M18, M19, M20)
51	M0221641	SCREW-SHOULDER TF (QTY 4)
81	20410005	CONDENSING ASSY (M8, M15)
81	20411003	CONDENSING ASSY (M9, M16)
81	20411405	CONDENSING ASSY (M10)
81	20411406	CONDENSING ASSY (M17)
81	20424803	CONDENSING ASSY (M12, M19)
81	20433701	CONDENSING ASSY (M1)
81	20435501	CONDENSING ASSY (M2)
81	20435901	CONDENSING ASSY (M3)
81	20435903	CONDENSING ASSY (M11)
81	20435905	CONDENSING ASSY (M18)
81	20436001	CONDENSING ASSY (M4, M5)
81	20437201	CONDENSING ASSY (M6, M7)
81	11163806	CONDENSING ASSY-PPNT (M14)
81	11163807	CONDENSING ASSY-PPNT (M13)
81	11163808	CONDENSING ASSY-PPNT (M21)
81	11163809	CONDENSING ASSY-PPNT (M20)
191	M0220816	SCREW-SM (M1, M2, M3, M4, M5, M6, M7)
291	20460201	LIQUID VALVE ASM (M1, M2, M3, M4, M5)
291	20460202	LIQUID VALVE ASM (M6, M7)
291	20414901	TUBE WELD-LVLV (M8, M9, M10, M11)
291	20414904	TUBE WELD-LVLV (M12)
291	20422701	TUBE WELD-LVLV (M13, M14)
291	20521201	TUBE WELD-LVLV (M15, M16, M17, M18)
291	20521202	TUBE WELD-LVLV (M19)
291	22303002	TUBE WELD-LVLV (M20, M21)
371	20206601	SUPPORT-COIL (M1, M2, M3, M4, M5, M6, M7, M8, M9, M10, M11, M12, M15, M16, M17, M18, M19)
371	20328901	SUPPORT-COIL (M13, M14, M20, M21)
381	10839819	GASKET-.062X.50
411	B1488806	COMPRESSOR SOUND BLANKET (M6, M7, M14, M21)
411	B1488807	COMPRESSOR SOUND BLANKET (M12)

Ref. Part

No: No: Description:

411	B1488815	COMPRESSOR SOUND BLANKET (M4, M5, M11, M13, M18, M19, M20)
411	B1488817	COMPRESSOR SOUND BLANKET (M1, M2, M3, M8, M9, M10, M15, M16, M17)
NS	B1219212	SINGLE-FLOW FILTER-DRIER (M1, M2, M3, M4, M5, M8, M9, M10, M11, M15, M16, M17, M18)
NS	B1219225	SINGLE-FLOW FILTER-DRIER (M6, M7, M12, M13, M14, M19, M20, M21)

Expanded Model Nomenclature

M1 - RCB18C2A	P1247501C
M2 - RCB24C2A	P1247502C
M3 - RCB30C2A	P1247503C
M4 - RCB36C2A	P1247504C
M5 - RCB42C2A	P1247505C
M6 - RCB48C2A	P1247506C
M7 - RCB60C2A	P1247507C
M8 - RCB18C2B	P1247508C
M9 - RCB24C2B	P1247509C
M10 - RCB30C2B	P1247510C
M11 - RCB36C2B	P1247511C
M12 - RCB42C2B	P1247512C
M13 - RCB48C2B	P1256401C
M14 - RCB60C2B	P1256402C
M15 - RCB18C2C	P1247513C
M16 - RCB24C2C	P1247514C
M17 - RCB30C2C	P1247515C
M18 - RCB36C2C	P1247516C
M19 - RCB42C2C	P1247517C
M20 - RCB48C2C	P1256403C
M21 - RCB60C2C	P1256404C

Tubing

Image 1

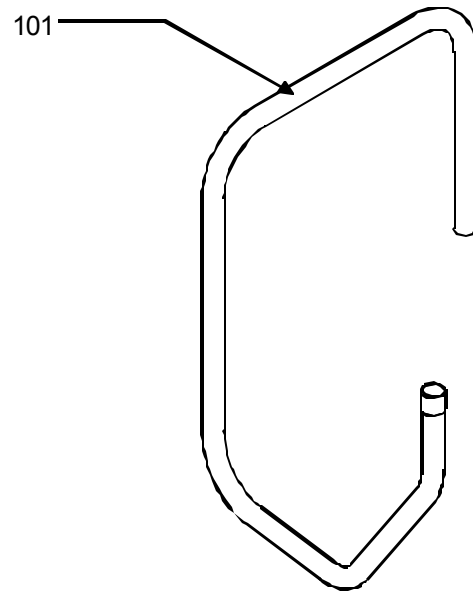
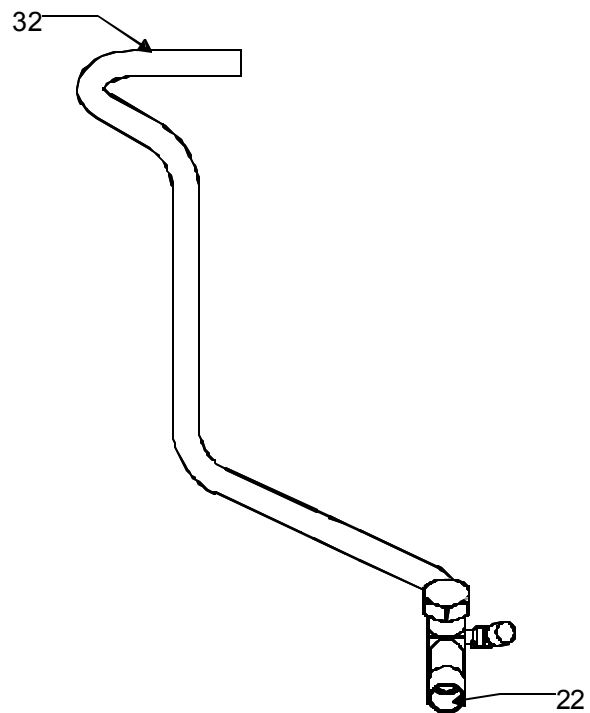


Image 2



Tubing

Ref. Part

No: No:

Description:

Ref. Part

No: No:

Description:

Image 1:

101	20206901	TUBE-DISCHARGE (M6)
101	20219402	TUBE-DISCHARGE (M3)
101	20232001	TUBE-DISCHARGE (M2)
101	20232002	TUBE-DISCHARGE (M1)
101	20443801	TUBE-DISCHARGE (M7)
101	20445301	TUBE-DISCHARGE (M4, M5)
101	20494001	TUBE-DISCHARGE (M14)
101	20504301	TUBE-DISCHARGE (M8, M15)
101	20504308	TUBE-DISCHARGE (M9, M16)
101	20504309	TUBE-DISCHARGE (M10)
101	20504310	TUBE-DISCHARGE (M11)
101	20504312	TUBE-DISCHARGE (M17)
101	20504313	TUBE-DISCHARGE (M18)
101	20504402	TUBE-DISCHARGE (M13, M20)
101	20523401	TUBE-DISCHARGE (M12)
101	20523403	TUBE-DISCHARGE (M21)
101	22311701	TUBE-DISCHARGE (M19)

Image 2:

22	20163902	VALVE-SERVICE 3/4 (M3, M4, M10, M11, M17, M18)
22	20163801	VALVE-SERVICE 3/8
22	20163901	VALVE-SERVICE 5/8 (M1, M2, M8, M9, M15, M16)
22	20163903	VALVE-SERVICE 7/8 (M5, M6, M7, M12, M13, M14, M19, M20, M21)
92	22303501	SUCT/SWT WELD (M20)
92	20423301	TUBE WELD-SUCTION (M14, M21)
92	20434301	TUBE WELD-SUCTION (M1, M2)
92	20435801	TUBE WELD-SUCTION (M3)
92	20436301	TUBE WELD-SUCTION (M4)
92	20436501	TUBE WELD-SUCTION (M5)
92	20438701	TUBE WELD-SUCTION (M6, M7)
92	20505401	TUBE WELD-SUCTION (M12)
92	20505801	TUBE WELD-SUCTION (M13)
92	20521501	TUBE WELD-SUCTION (M8, M9, M15, M16)
92	20523601	TUBE WELD-SUCTION (M10)
92	20523602	TUBE WELD-SUCTION (M11, M17, M18)
92	20523603	TUBE WELD-SUCTION (M19)

Expanded Model Nomenclature

M1 - RCB18C2A	P1247501C
M2 - RCB24C2A	P1247502C
M3 - RCB30C2A	P1247503C
M4 - RCB36C2A	P1247504C
M5 - RCB42C2A	P1247505C
M6 - RCB48C2A	P1247506C
M7 - RCB60C2A	P1247507C
M8 - RCB18C2B	P1247508C
M9 - RCB24C2B	P1247509C
M10 - RCB30C2B	P1247510C
M11 - RCB36C2B	P1247511C
M12 - RCB42C2B	P1247512C
M13 - RCB48C2B	P1256401C
M14 - RCB60C2B	P1256402C
M15 - RCB18C2C	P1247513C
M16 - RCB24C2C	P1247514C
M17 - RCB30C2C	P1247515C
M18 - RCB36C2C	P1247516C
M19 - RCB42C2C	P1247517C
M20 - RCB48C2C	P1256403C
M21 - RCB60C2C	P1256404C

Control Panel

Image 1

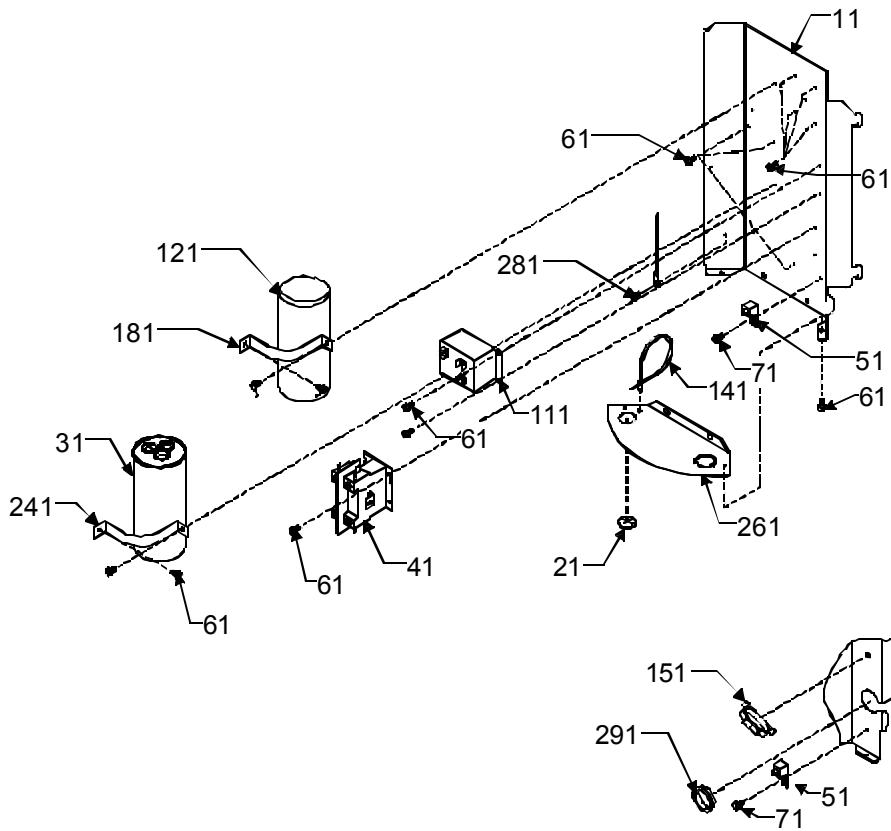
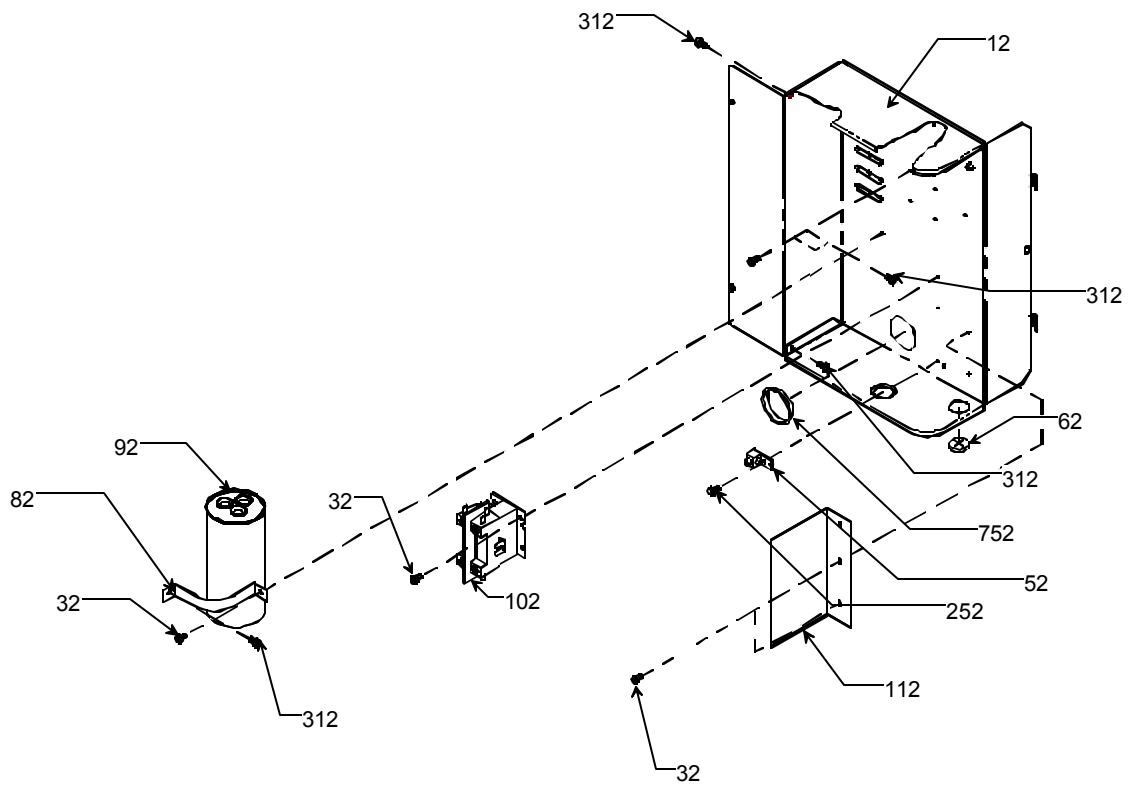


Image 2



Control Panel

Ref. Part

No: No: Description:

Image 1:

11	20187204	CONTROL BOX 14.5 (M1, M2, M8, M9, M12)
11	20187304	CONTROL BOX 16.5 (M3, M4, M5, M6, M7, M10, M11)
11	20187205	PANEL-CONT 14.5 REM (M15, M16, M19)
11	20187305	PANEL-CONT 16.5 REM (M17, M18)
21	A4603801	GROMMET (M1, M2, M3, M4, M5, M6, M7, M8, M9, M10, M11, M12, M15, M16, M17, M18, M19, M21)
31	D6789048	CAPACITOR 25/5/370 (M1, M8, M15)
31	D6789051	CAPACITOR 30/5/370 (M2, M9, M16)
31	D6789049	CAPACITOR 35/5/370 (M3, M10, M17)
31	D6789025	CAPACITOR 35/5/440 (M4)
31	D6789024	CAPACITOR 40/5/370 (M6)
31	B94575600	CAPACITOR 40/5/440 (M20)
31	D6789028	CAPACITOR 40/5/440 (M5, M12, M13, M19)
31	D6789043	CAPACITOR 50/5/370 (M11, M18)
31	D6789046	CAPACITOR 60/5/370 (M7, M21)
41	B1360321	CONTACTOR, 25FLA,125L (M8, M9, M10, M11, M12, M15, M16, M17, M18, M19)
41	C6170004	CONTACTOR-25A (M1, M2, M3, M4, M5, M6)
51	A9015201	LUG-GROUND
61	M0216515	SCREW-SM (QTY AR)
71	M0216529	SCREW-SM
111	10142305	START-RELAY (M2, M3, M5, M9, M10, M16, M17)
111	10142307	START-RELAY (M1, M8, M15)
111	10142317	START-RELAY (M4, M11, M18)
121	B1104806	START-CAPACITOR (M1, M2, M3, M4, M8, M9, M10, M11, M15, M16, M17, M18)
121	B1104807	START-CAPACITOR (M5)
141	M0322201	TIE-ELEC
151	M0118702	CLIP-GUIDE (M1, M2, M3, M4, M5, M6, M7, M8, M9, M10, M11, M12, M15, M16, M17, M18, M19)
181	C6300508	STRAP-CAPACITOR (M1, M2, M3, M4, M5, M6, M7)
241	20520901	STRAP-CAPACITOR (M15, M16, M17, M18, M19)
241	C6300508	STRAP-CAPACITOR (M1, M2, M3, M8, M9, M10, M11)
241	C6300513	STRAP-CAPACITOR (M4, M5, M6, M7, M12)
261	20161101	BOTTOM-CNTRL PNL (M1, M2, M3, M4, M5, M6, M7, M8, M9, M10, M11, M12, M15, M16, M17, M18, M19)
281	M0216517	SCREW-SM
291	A4554807	BUSHING-SNAP
NS	20164001	GASKET-CONT PANEL (M1, M2, M3, M4, M5, M6, M7, M8, M9, M10, M11, M12, M15, M16, M17, M18, M19)

Image 2:

12	11174704	CONTROL BOX-1PC (M13, M14, M20, M21)
32	M0216517	SCREW-SM (M13, M14, M20)
52	A9015201	LUG-GROUND
62	A4603801	GROMMET (M13, M14, M20)
82	C6300508	STRAP-CAPACITOR (M13)
82	C6300512	STRAP-CAPACITOR (M14)
92	B94575600	CAPACITOR 40/5/440 (M20)
92	D6789046	CAPACITOR 60/5/370 (M14)
102	B1360321	CONTACTOR, 25FLA,125L (M13, M20)
102	C6170005	CONTACTOR-40A (M7, M14, M21)
112	11156901	BARRIER-LOW VOLT (M13, M14)
112	20521001	BARRIER-LOW VOLTAGE (M20, M21)
112	10142305	RELAY-START (M20)
122	B1104807	CAPACITOR-START (M20)
242	20520901	STRAP-CAPACITOR (M20, M21)
252	M0216529	SCREW-SM (M13, M14, M20)

Ref. Part

No: No: Description:

312	M0216515	SCREW-SM (QTY AR)
752	A4554807	BUSHING-SNAP

Expanded Model Nomenclature

M1 - RCB18C2A	P1247501C
M2 - RCB24C2A	P1247502C
M3 - RCB30C2A	P1247503C
M4 - RCB36C2A	P1247504C
M5 - RCB42C2A	P1247505C
M6 - RCB48C2A	P1247506C
M7 - RCB60C2A	P1247507C
M8 - RCB18C2B	P1247508C
M9 - RCB24C2B	P1247509C
M10 - RCB30C2B	P1247510C
M11 - RCB36C2B	P1247511C
M12 - RCB42C2B	P1247512C
M13 - RCB48C2B	P1256401C
M14 - RCB60C2B	P1256402C
M15 - RCB18C2C	P1247513C
M16 - RCB24C2C	P1247514C
M17 - RCB30C2C	P1247515C
M18 - RCB36C2C	P1247516C
M19 - RCB42C2C	P1247517C
M20 - RCB48C2C	P1256403C
M21 - RCB60C2C	P1256404C